



DOLLS JOGGER

ITEM NUMBER: 548048

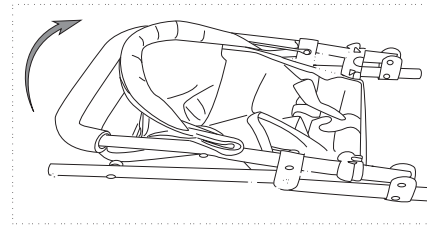


ENG

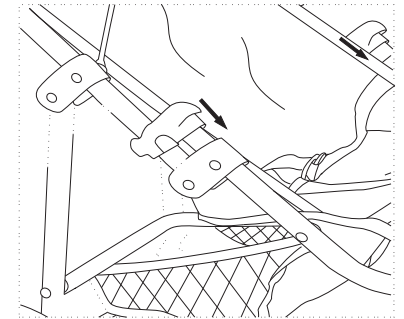


NOTE:

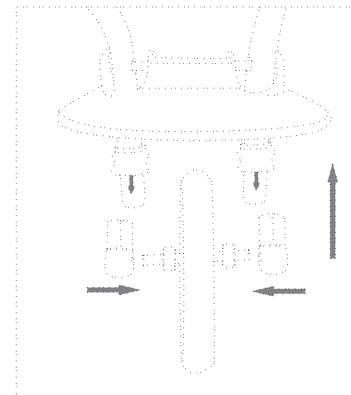
1. This stroller is not suitable for children younger than 3 years old.
2. This item is a toy and is not suitable for carrying babies, children or pets.
3. Assembly should be carried out by an adult to prevent the item from collapsing during use.
4. Please remove all package before giving this item to your children.



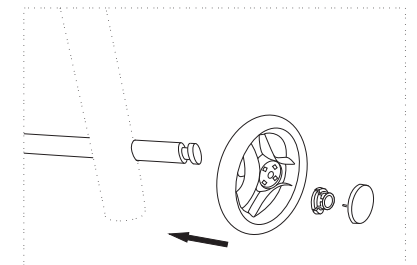
1. Unfold the buggy.



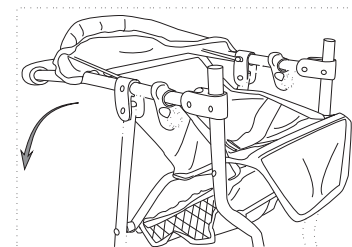
2. After unfold the stroller, lock it up by sliding down the plastic lock.



3. A. Put the axle through the front wheel, then the small plastic ring and the fixture on the axle; B. Put the two big plastic rings into the front frame and then the above assembled wheel set accordingly; C. Push down the two big plastic rings until fix on the wheel fixture.



4. Assemble rear wheel: take out the wheel and accessories from the spare parts packaging, put the axle into the frame, then the wheel, clip and wheel cover.



5. While folding, pull up the plastic lock until apart from the top of front tube.



Designed in Sweden
Made in China for Scandinavian Kids Group AB
Box 29098, SE-10052, Stockholm, Sweden
www.scandinaviankidsgroup.com